

FITTING INSTRUCTION

Clamp mark in acc. with		Cables joining
ISO	PN	
1	L	Left directional lights
2	+	Rear fog lights
3	31	Ground
4	R	Right directional lights
5	58R	Right side parking lights
6	54	Stoplights
7	58L	Left side parking lights

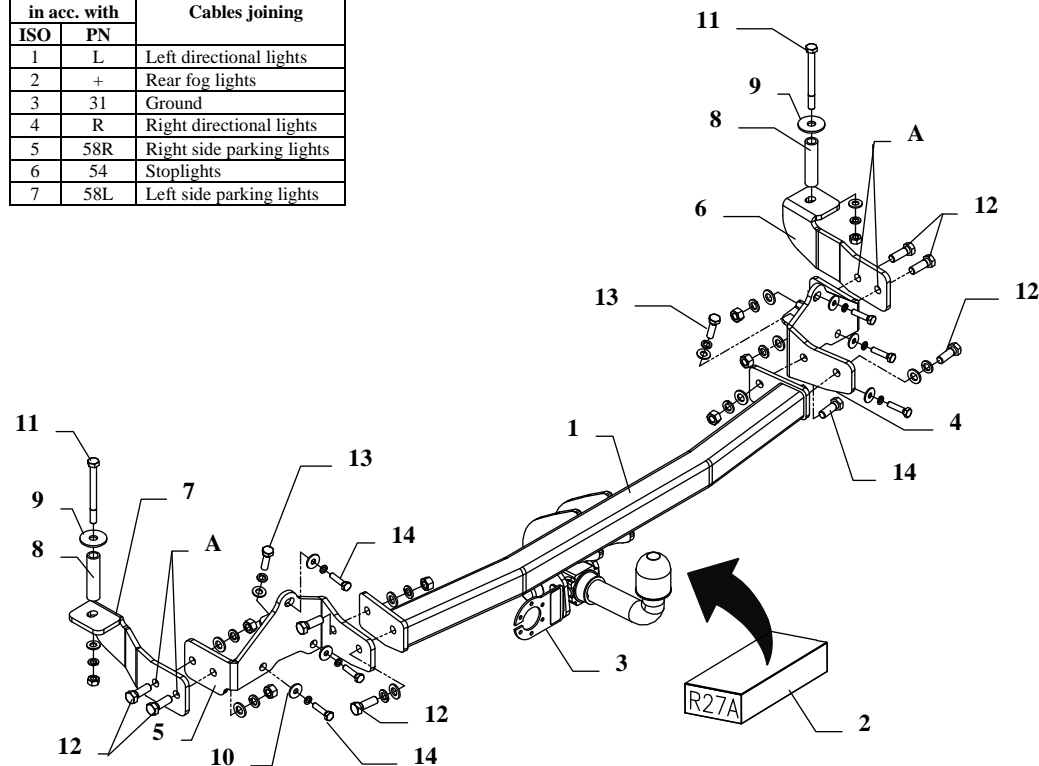


Fig. 1

This towbar is designed to assembly in following cars: **FIAT DOBLO, VAN, also MAXI**, produced since 01.2001 till 09.2005 and 10.2005 till 12.2009, catalogue no. **R27A** and is prepared to tow trailers max total weight **1300 kg** and max vertical load **60 kg**.

From manufacturer

Thank you for buying our product. Their reliability has been confirmed in many tests. Reliability of towbar depends also on correct assembly and right operation. For this reasons we kindly ask to read carefully this instruction and apply to hints.

The towbar should be install in points described by a car producer.

The instruction of the assembly

1. Disassemble the bumper.
2. Disassemble the metal strengthener (will not be assembled again).
3. From under the car, on the transverse frame, are a plastic fuses in the left and right side. Open it an then, form inside of the carrier, put out the rubber dummy. It in this way get through holes, and then put from the under side the tubes $\varnothing 20 \times 3$, $L=80$ mm (pos. 9), and twist with bolts $M10 \times 110$ mm (pos. 12) and washer (pos. 10), as showed on the drawing.

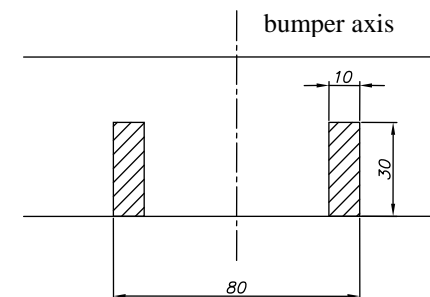


Fig. 2 Cut area

4. In the place previously metal strengthener, put the elements (pos. 5 and 6) and twist with bolts $M8 \times 35$ mm (pos. 15) from the front, and form under of this, with bolts $M10 \times 35$ mm (pos. 14) - loosely.
5. For this way prepared elements, put the main bar of the towbar (pos. 1) and twist with bolts $M12 \times 35$ mm (pos. 13).
6. To elements (pos. 5 and 6) through the holes (pos. A) fix the brackets (pos. 7 and 8) with bolts $M12 \times 35$ mm (pos. 13) and previously put bolts $M10 \times 110$ mm (pos. 12) and twist with chassis member.
7. Fix tight, all nuts and bolts with the moment showed in the table.
8. Mount the bumper after previous cut a fragment, how is showed on fig. 2.
9. Fix body of the automat and place tow-ball according to supplied instruction. Note! Remember to place socket plate (pos. 3) as shown on the drawing 1.
10. Connect the kit wires to the electric installation, in accordance of the instructions of the car.
11. Complete the possible decreases of the paint cover of towbar, originate during the mounting.

Torque settings for nuts and bolts (8,8):

M6 - 11 Nm	M8 - 25 Nm	M10 - 50 Nm
M12 - 87 Nm	M14 - 138 Nm	M16 - 210 Nm

NOTE

After install the towbar you should get adequate note in registration book (at authorised service station).The car should be equipped with:

- Indicators
- Tow mirrors

After 1000km of exploitation check all bolts and nuts. The ball of towbar must be always kept clear and conserve with a grease.

Towbar accessories:

Pos. 1 Name: Main bar Quantity: 1	Pos. 6 Name: Bracket Quantity: 1 LEFT	Pos. 12 Name: Bolt 8,8 B Quantity: 2 Dim.: M10x110mm	Pos. 18 Name: Plain washer Quantity: 8 Dim.: Ø 13 mm
	Pos. 7 Name: Side bracket Quantity: 1 RIGHT	Pos. 13 Name: Bolt 8,8 B Quantity: 8 Dim.: M12x35mm	Pos. 19 Name: Plain washer Quantity: 4 Dim.: Ø 10,5 mm
Pos. 2 Name: Tow ball Quantity: 1	Pos. 8 Name: Side bracket Quantity: 1 LEFT	Pos. 14 Name: Bolt 8,8 B Quantity: 2 Dim.: M10x35mm	Pos. 20 Name: Spring washer Quantity: 8 Dim.: Ø 12,2 mm
Pos. 3 Name: Socket plate Quantity: 1	Pos. 9 Name: Distance sleeve Quantity: 2 Dim.: Ø20x3mm L=80mm	Pos. 15 Name: Bolt 8,8 B Quantity: 6 Dim.: M8x35mm	Pos. 21 Name: Spring washer Quantity: 4 Dim.: Ø 10,2 mm
Pos. 4 Name: Ball cover Quantity: 1	Pos. 10 Name: Washer Quantity: 2 Dim.: Ø42xØ13x3mm	Pos. 16 Name: Nut 8 B Quantity: 6 Dim.: M12	Pos. 22 Name: Spring washer Quantity: 6 Dim.: Ø 8,2 mm
Pos. 5 Name: Bracket Quantity: 1 RIGHT	Pos. 11 Name: Washer Quantity: 6 Dim.: Ø25xØ9x2mm	Pos. 17 Name: Nut 8 B Quantity: 2 Dim.: M10	



PPUH AUTO-HAK Sp.J.

Produkcja Zaczepów Kulowych
Henryk & Zbigniew Nejman
76-200 SŁUPSK ul. Słoneczna 16K
tel/fax (059) 8-414-414; 8-414-413
E-mail: office@autohak.com.pl
www.autohak.com.pl

Towing hitch (without electrical set)

Class: **A50-X** Cat. no. **R27A**

Designed for:

Manufacturer: **FIAT**

Model: **DOBLO, VAN, also MAXI**

produced since 01.2001 till 09.2005
and 10.2005 till 12.2009

Technical data:

D-value: 7,9 kN

maximum trailer weight: **1300 kg**

maximum vertical cup load: **60 kg**

Approval number acc. to regulations EKG/ONZ 55.01: **E20-55R-01 4191**

Foreword

This towbar is designed according to rules of safety traffic regulations. The towing hitch is a safety component and can be install only by qualified personnel. Any alteration or conversion of the towing hitch is prohibited and would lead to cancellation of design certification. Remove insulating compound and underseal from vehicle (if present) in the area of the matting surfaces of the towing hitch.

The vehicle manufacturer's specifications regarding trailer load and max. vertical cup load are decisive for driving, and values for the towing hitch cannot be exceeded.

D-value formula:

$$\frac{\text{Max trailer weight [kg]} \times \text{Max vehicle weight [kg]}}{\text{Max trailer weight [kg]} + \text{Max vehicle weight [kg]}} \times \frac{9,81}{1000} = D \text{ [kN]}$$