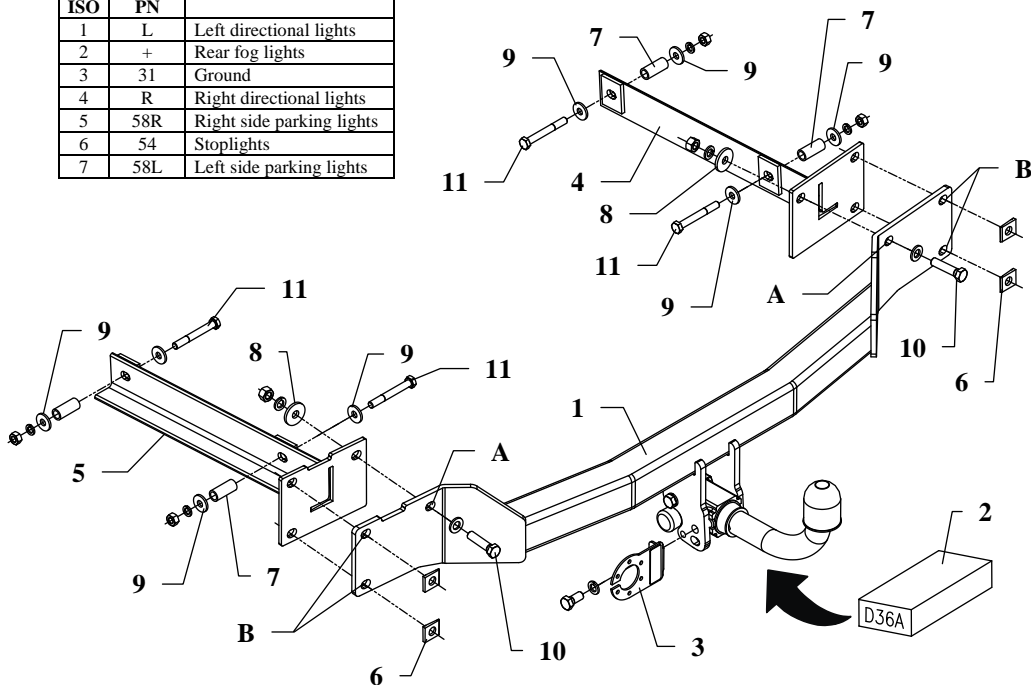


FITTING INSTRUCTION

| Clamp mark in acc. with | | Cables joining |
|-------------------------|-----|---------------------------|
| ISO | PN | |
| 1 | L | Left directional lights |
| 2 | + | Rear fog lights |
| 3 | 31 | Ground |
| 4 | R | Right directional lights |
| 5 | 58R | Right side parking lights |
| 6 | 54 | Stoplights |
| 7 | 58L | Left side parking lights |



This towing hitch is designed to assembly in following cars:
MERCEDES S-CLASS (W220), except AMG, produced since 10.1998 till 09.2005, catalogue no. **D36A** and is prepared to tow trailers max total weight **2100 kg** and max vertical load **85 kg**.

Torque settings for nuts and bolts (8,8):

| | | |
|--------------------|---------------------|---------------------|
| M6 - 11 Nm | M8 - 25 Nm | M10 - 50 Nm |
| M12 - 87 Nm | M14 - 138 Nm | M16 - 210 Nm |

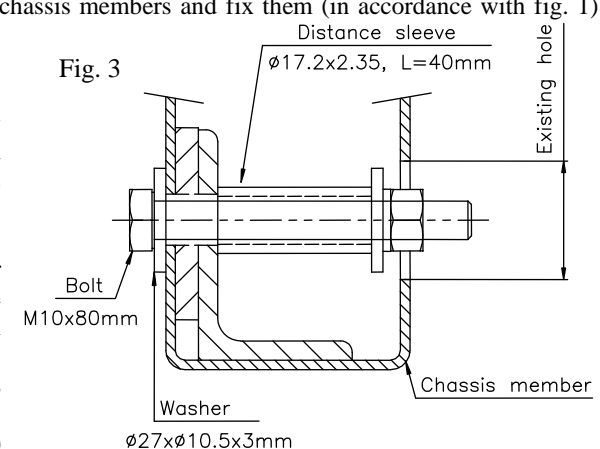
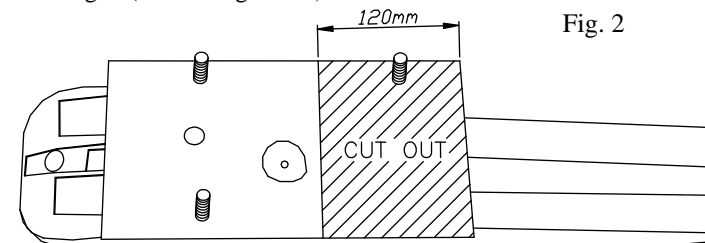
From manufacturer

Thank you for buying our product. Their reliability has been confirmed in many tests. Reliability of towing hitch depends also on correct assembly and right operation. For this reasons we kindly ask to read carefully this instruction and apply to hints.

The towing hitch should be install in points described by a car producer.

The instruction of the assembly

1. Remove the floor mat from the trunk and the side covering at the left and right.
2. Take out the battery and remove the CD-player. **Attention!** Do not leave the vehicle without power for more than 30 minutes! If the power is disconnected for more than 30 minutes, the system will need to be reset by the dealer of the car.
3. Disassemble the bumper together with its aluminum reinforcement. Remove the adjustment wedges at the left and right (will not be assembled again). Cut out fragments inside of the bumper in accordance with fig. 2 (left and right side).
4. Take the exhaust silencers out of the suspension rubbers at the left and right and take off the heat shield at both sides.
5. In the trunk (at the internal side of the chassis members) find blind holes and drill them trough ($\phi 13\text{mm}$) using a right-angle drill.
6. Slip side arms (pos. 4 and 5) to chassis members and fix them (in accordance with fig. 1) using bolts M10x80mm (pos. 11). Use distance sleeves (pos. 7) and large washers (pos. 9).
7. Apply the main bar of the towing hitch (pos. 1) to already installed side arms and fix it trough holes A using bolts M12x50mm (pos. 10). Use large washers (pos. 8).
8. Install fulfillment of the bumper and heat shields. Install the bumper in points B using original bolts and cut fish-plates (pos. 6).
9. Reassemble elements disassembled at points 1 and 2.
10. Fix body of the automat (pos. 10) and the socket plate (pos. 3) using bolts M12x25mm (pos. 11) from accessories. Place tow-ball (pos. 2) according to supplied instruction.
11. Tighten all bolts according to the torque shown in the table.
12. Connect electric wires of 7-poles socket according to the instruction of the car. (Recommend to make at authorized service station).
13. Complete paint layer damaged during installation.



NOTE

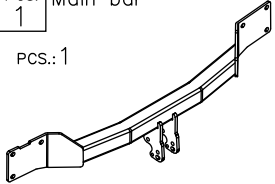
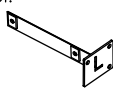
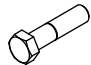
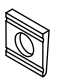
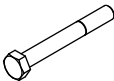
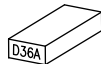
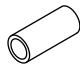

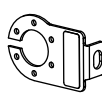


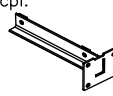



After install the towing hitch you should get adequate note in registration book (at authorised service station). The car should be equipped with:

- Indicators
- Tow mirrors

After 1000km of exploitation check all bolts and nuts. The ball of towing hitch must be always kept clear and conserve with a grease.



Towing hitch accessories:

| | | |
|--|---|---|
| Pos. 1 Main bar pcs.: 1  | Pos. 5 Left arm cpl. pcs.: 1  | Pos. 10 Bolt 8,8 B M12x50mm PCS.: 2  |
| | Pos. 6 Cut fish-plate pcs.: 4  | Pos. 11 Bolt 8,8 B M10x80mm PCS.: 4  |
| Pos. 2 Tow ball pcs.: 1  | Pos. 7 Distance sleeve ø17.2x2.35mm L=40mm PCS.: 4  | Pos. 12 Plain washer ø12mm PCS.: 6  |
| Pos. 3 Socket plate pcs.: 1  | Pos. 8 Washer ø37xø13x3mm PCS.: 2  | Pos. 13 Spring washer ø10mm PCS.: 6  |
| Pos. 4 Right arm cpl. pcs.: 1  | Pos. 9 Washer ø30xø10.5x2.5mm PCS.: 8  | Pos. 14 Nut 8 B M12 PCS.: 2  |
| | | Pos. 15 Nut 8 B M10 PCS.: 4  |

Towing hitch (without electrical set)

Class: **A50-X** Cat. no. **D36A**

Designed for:

Manufacturer: **MERCEDES**

Model: **S-CLASS (W220), except AMG**

produced since 10.1998 till 09.2005

Technical data:

D-value: 12,3 kN

maximum trailer weight: **2100 kg**

maximum vertical cup load: **85 kg**

Approval number according to Directive 94/20/EC: e20*94/20*0298*00

Foreword

This towing hitch is designed according to rules of safety traffic regulations. The towing hitch is a safety component and can be install only by qualified personnel. Any alteration or conversion of the towing hitch is prohibited and would lead to cancellation of design certification. Remove insulating compound and underseal from vehicle (if present) in the area of the matting surfaces of the towing hitch.

The vehicle manufacturer's specifications regarding trailer load and max. vertical cup load are decisive for driving whereat values for the towing hitch cannot be exceeded.

D-value formula:

$$\frac{\text{Max trailer weight [kg]} \times \text{Max vehicle weight [kg]}}{\text{Max trailer weight [kg]} + \text{Max vehicle weight [kg]}} \times \frac{9,81}{1000} = D \text{ [kN]}$$